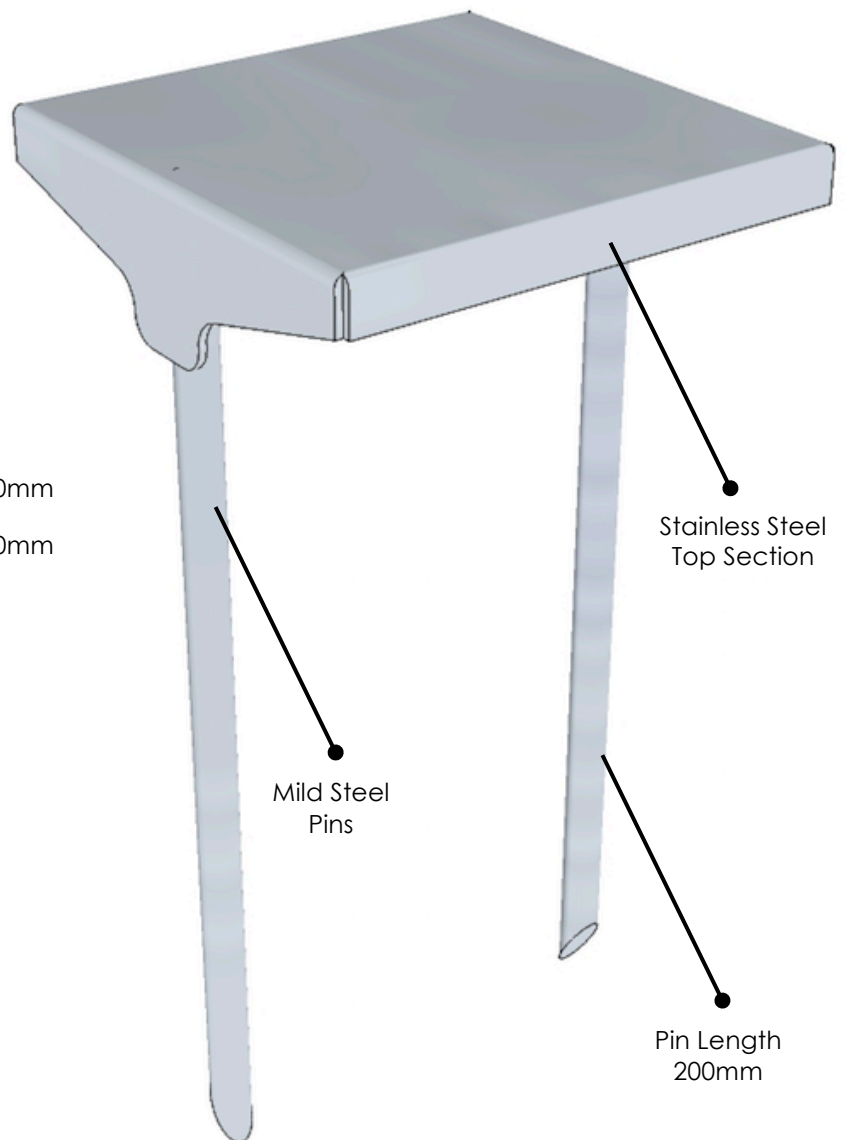
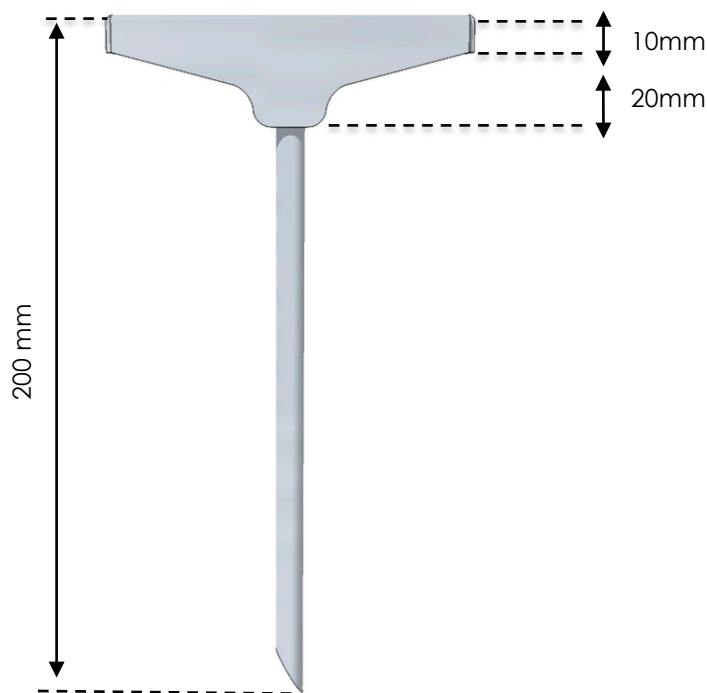
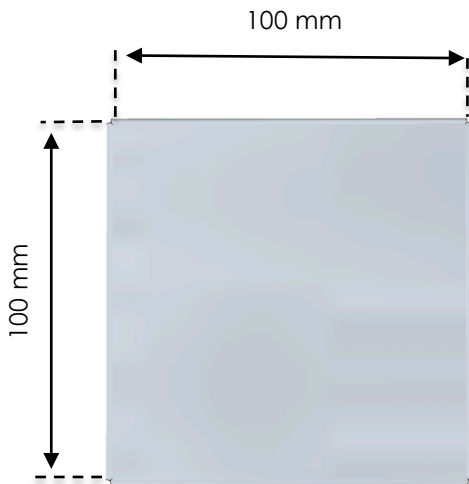


Technical Drawing

Stainless Steel Marker

nida graveluk[®]
stabilised gravel driveways, paths & surfaces

100 x 100 mm Square Marker
Overall Product Dimensions
Stainless Steel Marker



UK Residential, Commercial & Industrial - Sales & Technical

www.nidagraveluk.co.uk

Nidagravel UK

Gravel Stabilisers UK Ltd, 4 Thorpe Court, Thorpe Waterville, Northamptonshire NN14 3ED, England
T: 01832 77 65 68 E: sales@nidagraveluk.co.uk www.nidagraveluk.co.uk
Registered in England & Wales. Company Registration No. 9520424 VAT Registration No. 212 0140 88

Nidagravel EU

Nidaplast, Rue Paul Vaillant Couturier, F - 59224, France
T: +33 (0)3 27 44 70 00 E: info@nidagravel.eu www.nidagravel.eu
S.A.S. au capital de 1 061 998 € - R.C.Valenciennes 971 204 474 - NAF: 2223 Z

